



# SOLARMOUNT®

PV's most versatile mounting system

## SolarMount® Rail Options

### SolarMount® HD

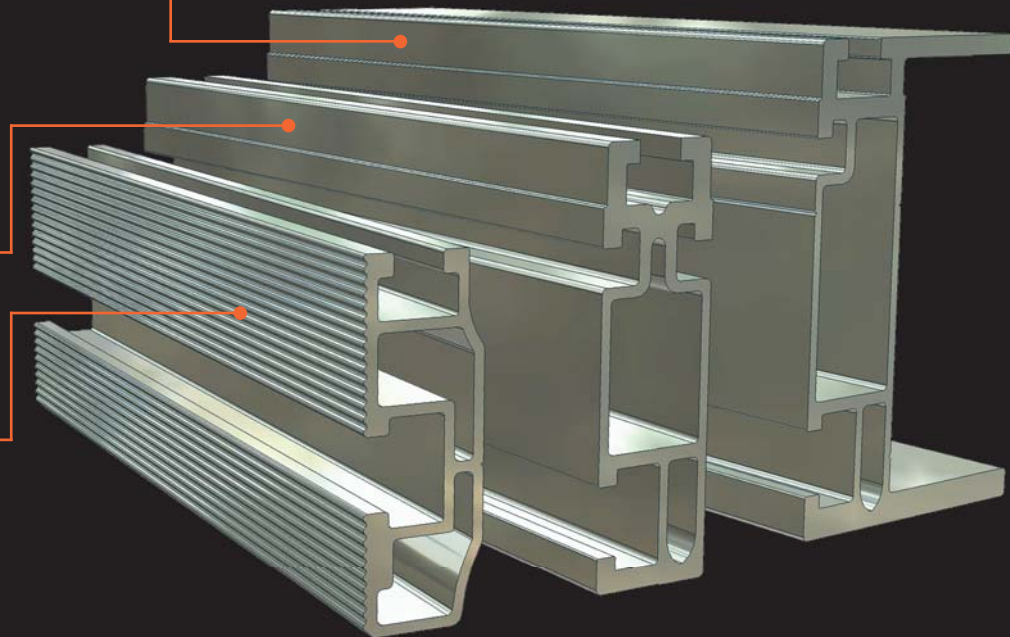
HD (heavy duty) rail adds the SolarMount advantage to PV PoleTops®, U-LAs (see separate data sheets), and custom applications that require long spans.

### Standard SolarMount®

Standard rail gives you ultimate flexibility, including bottom mounting and tilt-up options.

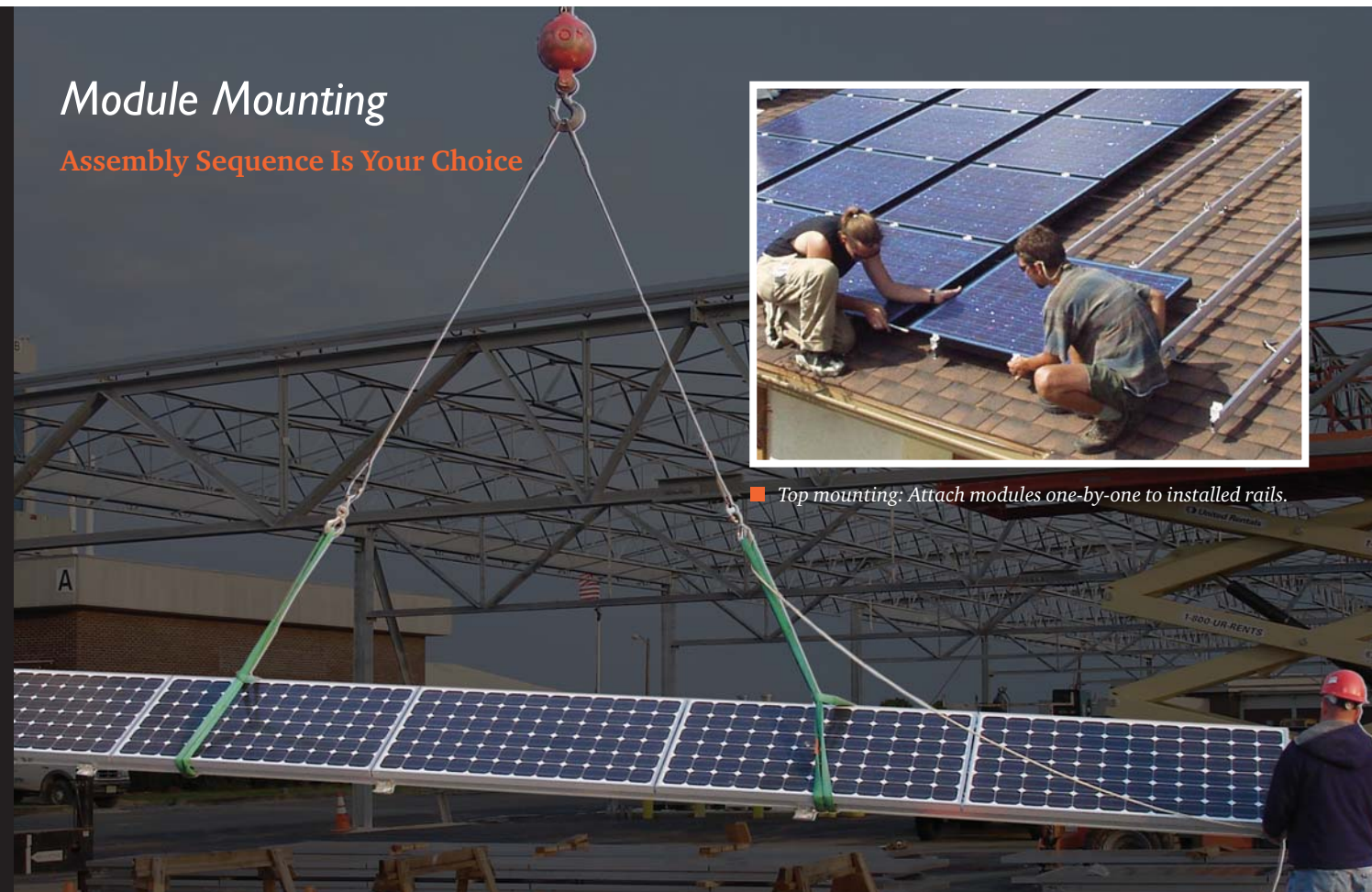
### SolarMount® Light

In flush mounted arrays, easy handling SolarMount® Light rail saves aluminum and expense without compromising structural integrity.



## Module Mounting

### Assembly Sequence Is Your Choice



■ Top mounting: Attach modules one-by-one to installed rails.

■ Bottom mounting: Preassemble full rows before final installation (standard and HD rail only).

## System Footing

### Flexible Components Speed Installation

Secure footings bolt quickly and easily to footing bolt slots in any SolarMount® rail.

### Standoffs

Use standoffs whenever flashed installations are required, on tile roofs, for example. Two-piece aluminum standoff allow precise placement of a flashing over a secured base prior to the installation of the standoff itself.

All standoff types come in four standard heights: 3, 4, 6, and 7 inches. Appropriate flashings are available.

### Serrated L-feet

Standard for ground mount installations, L-feet mount rails to residential and commercial rooftops as well. Use them alone above asphalt composition shingles or in conjunction with flat top standoffs. Mount standard or light rails. Configure to either of two rail heights, one promoting air flow for cooling, the other offering close-to-the-roof aesthetics.



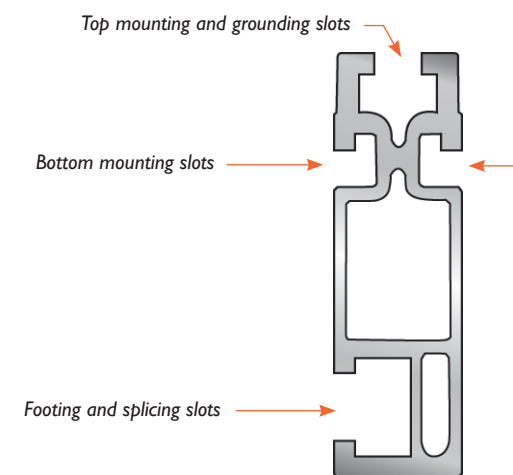
Serrated L-foot



Two-piece aluminum flat top

Steel raised flange

Steel flat top



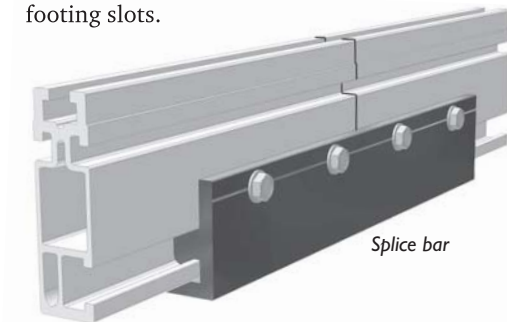
Top mounting and grounding slots

Bottom mounting slots

Footing and splicing slots

### Splice Bars

In flush and low profile installations, securely join SolarMount® rail sections using rail footing slots.



Splice bar

### Top Mounting Clamps

SolarMount T-bolts quickly mount your modules to any SolarMount rail from the top. This is ideal for flush mount applications, such as residential rooftops, where it is most convenient to secure footings and rails before installing modules. Clamps securely grip any point of the module frame, freeing you from the constraints of module mounting holes.



T-bolt

### Bottom Mounting Clips

Use bottom mounting clips (standard and HD rail only) whenever you prefer to attach rails directly to the module mounting holes. Simply fit the clip into its rail slot over the mounting bolt for a secure connection. Adjust the clip position anywhere along the rail slot. Alignment of rails to module mounting holes is always easy and convenient.



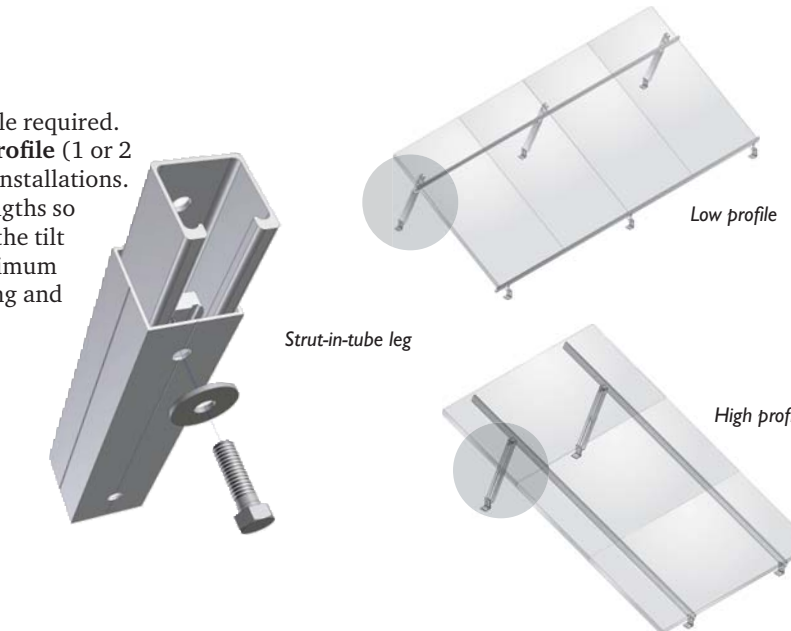
### Junction Plates

In shared-rail configurations (standard and HD rail only), attach modules with four-slot junction plates. North-south slots secure the rail to the plates. East-west slots secure a module on each side of the rail.



### Strut-in-Tube Style Legs

Quickly set the precise tilt angle required. Styles are available for **high profile** (1 or 2 legs per rail) and **low profile** installations. Each series offers three leg lengths so that you can adjust to exactly the tilt angle you want — up to a maximum of 60 degrees — without cutting and drilling at the job site.



Strut-in-tube leg

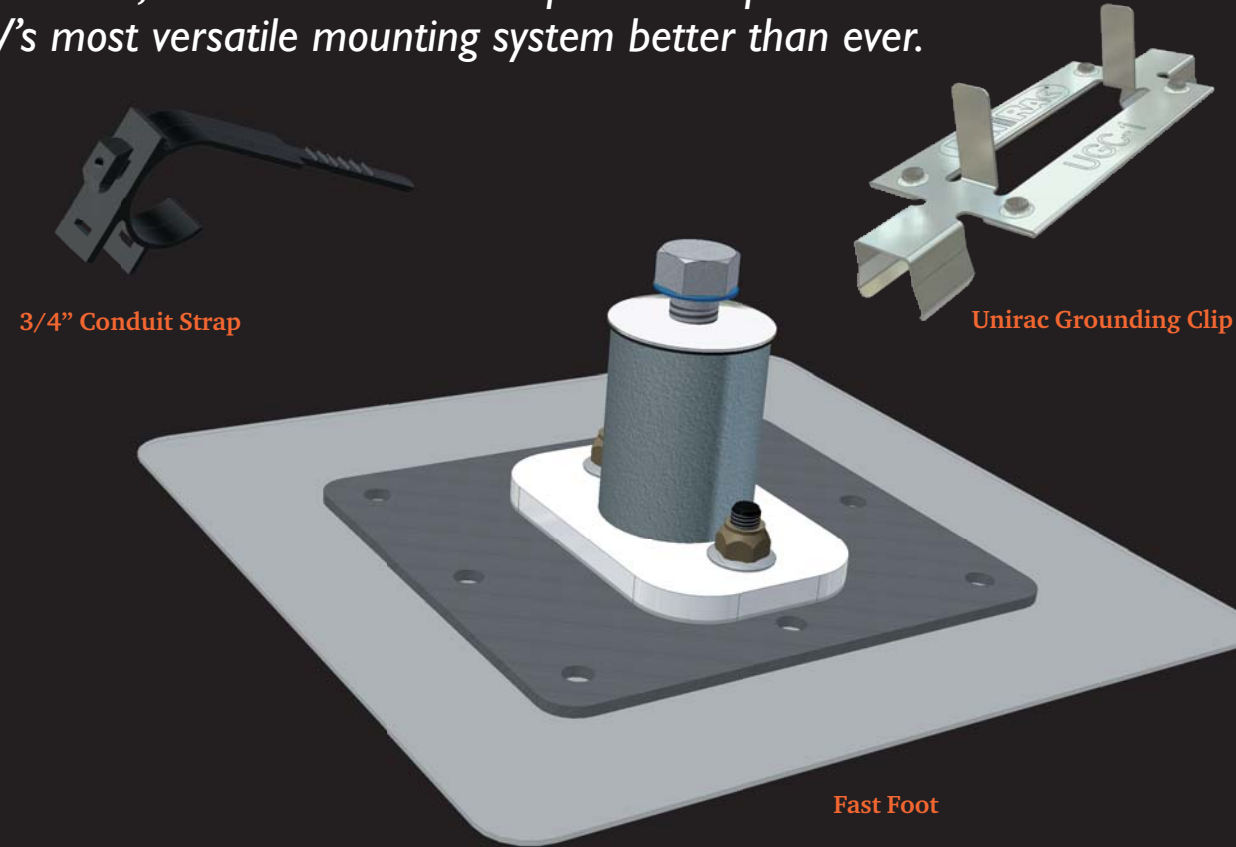
Low profile

High profile

Start at [www.unirac.com](http://www.unirac.com)

Download our *SolarMount® Master Price List with Sizing Charts* and installation manuals. Generate quick price estimates with our on-line *SolarMount® Estimator*.

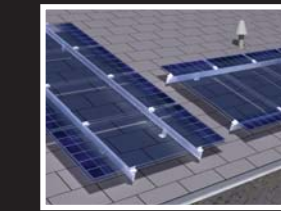
At Unirac, we continue to develop new components that make PV's most versatile mounting system better than ever.



**Full compatibility**

Mount any framed PV module:

- AEE
- BP Solar
- Evergreen
- GE Energy
- Isofoton
- Kaneka
- Kyocera
- Mitsubishi
- Photowatt
- Sanyo
- Schott Solar
- Sharp
- SolarWorld (Shell)
- SunPower
- SunTech
- SunWize
- Uni-Solar
- Yingli



Flush Mount



Low Profile



High Profile

PV's Most Versatile Mounting System

**SOLARMOUNT®**



**Fast Foot**

FastFoot™ attachment option is the #1 solution for membrane roofs. Featuring Eco-Fasten technology by the Alpine Snow Guard Company, FastFoot offers a self sealing feature for membrane roofs that does not void roof manufacturer's membrane warranty. FastFoot is perfect for attaching to metal, concrete and wood, and it installs on all EPDM, PVC, TPO and built up roofs.

**3/4" Conduit Strap**

Conduit strap wire management fits effortlessly into each rail's 3/8" slot and with a quick quarter turn, firmly snaps into place without tools or the need to drill additional holes. Made of nylon 6 with UV stabilizer, it sits under the module to anchor 3/4" conduit or cables along the rail with the added ability to use standard wire ties if desired.

**Unirac Grounding Clip**

Save time and materials by eliminating the need to tediously install a grounding lug on each module and bare copper wire between all modules. Instead, simply press one of these clips into the top slot of the SolarMount rail at the end of the row and between each pair of modules as they are installed. Align and fasten the modules with SolarMount top mounting clamps in the usual manner. The nibs of the Unirac Grounding Clip pierce the anodizing as the mounting nuts are tightened, thus creating a ground path through the SolarMount rail. Complete the installation by installing one grounding lug at the end of the SolarMount rail. Connect the lugs with a bare copper wire to ground the entire array.

**Code Compliant**

The SolarMount® system is PE certified. Call Unirac for documentation applicable to your building code.

**Component Specifications**

6061-T6 and 6063-T5

- SolarMount ballast frame

6105-T5 aluminum extrusion

- SolarMount® rails
- Mounting clips and clamps
- Tilt legs and L-feet
- two-piece standoffs

Severe Condition 4 (very severe) zinc-plated welded steel

- One-piece standoffs

18-8 stainless steel

- Fasteners

**Warranty**

SolarMount® is covered by a 10-year limited product warranty and a 5-year limited finish warranty. For complete warranties, download any SolarMount® installation manual from our web site.



[www.unirac.com](http://www.unirac.com)

SolarMount is much more than a product.

It's a system of engineered components that can be assembled into a wide variety of PV mounting structures. With SolarMount you'll be able to solve virtually any PV module mounting challenge.

It's also a system of technical support: complete installation and code compliance documentation, an on-line SolarMount Estimator, person-to-person customer service, and design assistance to help you solve the toughest challenges.

Which is why SolarMount is PV's most widely used mounting system.



1411 Broadway Boulevard NE  
Albuquerque NM 87102-1545 USA

Pub 070131-1ds • February 2007  
© 2007 Unirac, Inc. All rights reserved.

U.S. Des. Patent Nos. D496,248S, D496,249S. Other patents pending.